

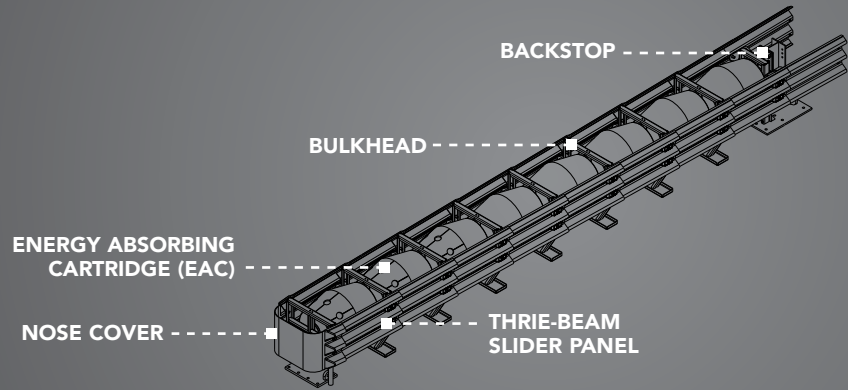
UNIVERSAL TAU-II® | REDIRECTIVE, NON-GATING
CRASH CUSHION - PARTIALLY REUSABLE

- SHIELDS MULTIPLE WIDTH HAZARDS
- PARTIALLY REUSABLE DESIGN
- QUICK AND EASY TO INSTALL
- NCHRP 350 ACCEPTED



PHYSICAL SPECIFICATIONS

Classification	R-NG-PR	
TL-3 Length	23' 10"	7.3 m
Width	27 - 102"	0.7 - 3 m
Height	31 ½"	800 mm
TL-3 Weight	2700 lb.	1225 kg
Test Level	NCHRP 350	TL 1/2/3



DESIGNED TO SHIELD MULTIPLE WIDTH HAZARDS

The Redirective, Non-Gating, Partially Reusable (R-NG-PR) Universal TAU-II Crash Cushion consists of a full family of systems designed to meet the requirements of NCHRP Report 350, TL-2 & TL-3 to shield almost any width hazard. The system is available in lengths and capacities for both low and high speed applications from 30-75 mph (50-120 km/h). The Universal TAU-II System can shield hazards with widths up to 102" (2.6 m). The Universal TAU-II System is ideally suited for roadway hazards located on the side of a road or in a median. Ease of installation, low profile foundation, numerous transition options, and low priced replacement components make the Universal TAU-II System an ideal crash cushion to shield most roadside and median hazards.

FREQUENTLY ASKED QUESTIONS

What components of the Universal TAU-II System need to be replaced after a design impact?

Typically only the damaged cartridges will need to be replaced. The nose and slider panels are designed to withstand multiple design impacts.

What type of foundation is needed for the Universal TAU-II System?

A 6" (152 mm) reinforced concrete pad is required. The Universal TAU-II System can also be ordered to be installed on asphalt.

What transitions are available?

Since Universal TAU-II transitions are non-proprietary, all approved thrie-beam barrier transitions will work with the system.

Can the TAU-II System be used for low and high speeds?

The Universal TAU-II System is designed for speeds from 31 to 75 mph (50 to 120 km/h).

FEATURES

- » High speed designs available
- » Minimum number of anchors needed to secure the system
- » Can be installed over bridge expansion joints
- » Low profile foundation ideal for deployment on bridge decks
- » Numerous transition options
- » Low priced replacement components
- » Standard reusable nose
- » Designed for use with standard, thrie beam transitions

DISTRIBUTED BY:



Lindsay Transportation Solutions Sales and Services, Inc.

180 River Road • Rio Vista, CA 94571 • +1 707.374.6800 U.S. Toll Free: 888.800.3691 • www.barrriersystemsinc.com

General details for the Universal TAU-II System are subject to change without notice to reflect improvements and upgrades.

Additional information is available from Lindsay Transportation Solutions Sales and Services, Inc. © Lindsay Transportation Solutions, Inc.

PT # TAU04-03252013